

# Cast Iron, Ni-Resist or Silver Series XL™

Series 1502 6-Roller Includes Models: 1502C, 1502N, 1502XL

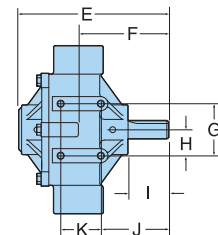
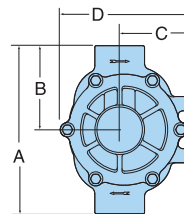


## Features

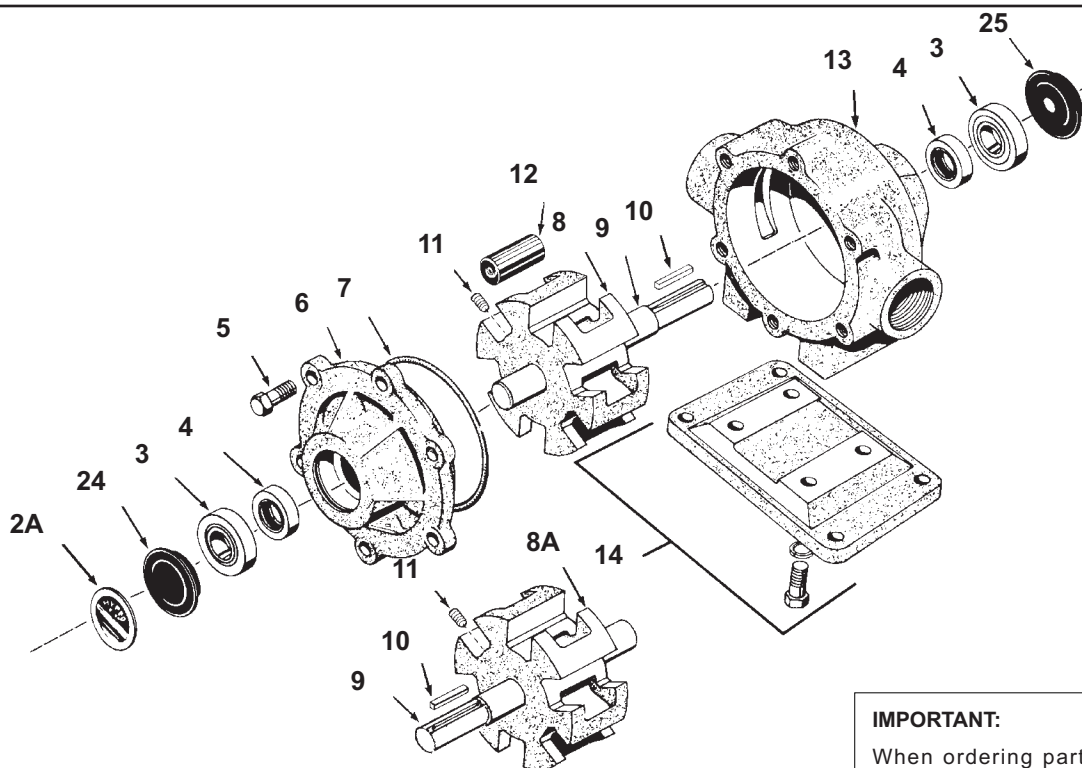
- Max. flow: 33.1 gpm/125 lpm at 540 rpm;  
62.1 gpm/235 lpm at 1000 rpm
- Max. pressure: continuous 100 psi/6.9 bar;  
intermittent 150 psi/10.3 bar
- Max. rated speed: 1000 rpm
- Max. fluid temperature: 140°F/60°C
- Port size: 1½" NPT
- Shaft size: 15/16" solid
- Housing: Cast Iron, Ni-Resist or Silvercast
- Pump shaft rotation: CCW (CW available)\*
- Weight: 30 lbs./13.6 kg
- Rollers: Super rollers standard (poly and teflon available)
- Shaft Seals: Buna-N standard on Cast Iron and Ni-Resist (Viton available); Viton standard on Silver Series XL™ (Buna-N available)
- Available PTO adapters (forged steel recommended):  
See page 67
- Rotor: Cast Iron, Ni-Resist and Silvercast

Dimensions	
Standard	Metric
A. 8 7/8"	225 mm
B. 4 7/16"	113 mm
C. 3 5/8"	92 mm
D. 6 3/4"	171 mm
E. 7 7/8"	200 mm
F. 4 3/4"	121 mm
G. 2 3/4"	70 mm
H. 1 3/8"	35 mm
I. 2 5/8"	54 mm
J. 3 9/16"	91 mm
K. 2 1/8"	54 mm

Pressure in PSI and BAR	GPM HP		GPM HP		GPM HP	
	@540 RPM	@600 RPM	@600 RPM	@600 RPM	@1000 RPM	@1000 RPM
0 PSI	33.1	.51	36.8	.66	62.1	2.02
0 BAR	125	.51	139	.66	235	2.02
25 PSI	29.7	1.02	33.6	1.15	58.5	3.04
1.7 BAR	112	1.02	127	1.15	221	3.04
50 PSI	27.8	1.45	31.7	1.68	56.9	3.69
3.4 BAR	105	1.45	120	1.68	215	3.69
100 PSI	24.3	2.46	28.3	2.78	53.9	5.31
6.9 BAR	92	2.46	107	2.78	204	5.31
150 PSI	21.0	3.54	25.0	3.95	50.9	7.12
10.3 BAR	79.5	3.54	94.6	3.95	193	7.12



**Models 1500C, 1500N, and 1500XL**



**IMPORTANT:**  
When ordering parts, give PART NUMBER and PART DESCRIPTION. Reference Numbers are used ONLY to point out parts in the drawing and are NOT to be used as ordering numbers.

Ref. No.	Qty. Req'd.	Part Number	Description
2A	1	6031-0258	Name Plate (Specify Pump Model #)
3	2	2008-0001	Sealed Ball Bearing
4	2	2112-0001	Buna-N Seal (Standard)
4	2	2112-0003	Viton Seal (Optional) (Std. for SilverCast)
5	6	2210-0026	Bolt
6	1	0200-1500C	Endplate (Cast Iron) with seal
6	1	0200-1500N	Endplate (Ni-Resist) with seal
6	1	0200-1500X	Endplate (SilverCast) with seal
7	1	1720-0003	O-ring Gasket for Endplate
8	1	0300-1502C	Rotor (Cast Iron) with shaft (Std. Rotation)
8	1	0300-1502N	Rotor (Ni-Resist) with shaft (Std. Rotation)
8	1	0300-1502X	Rotor (SilverCast) with shaft (Std. Rotation)
8A	1	0301-1502C	Rotor (Cast Iron) w/shaft (Reverse Rotation)
8A	1	0301-1502N	Rotor (Ni-Resist) w/shaft (Reverse Rotation)
8A	1	0301-1502X	Rotor (SilverCast) w/shaft (Reverse Rotat.)
9	1	0500-1502	Shaft Only

Ref. No.	Qty. Req'd.	Part Number	Description
10	1	1610-0005	Key
11	1	2230-0018	Set Screw
11	1	2230-0034	Set Screw (SilverCast Only)
12	6	1005-0005	Super Roller (Standard)
12	6	1002-0005	Polypropylene Roller (Optional)
12	6	1055-0005	Teflon Roller (Optional)
13	1	0100-1500C	Body (Cast Iron) with seal
13	1	0100-1500N	Body (Ni-Resist) with seal
13	1	0100-1500X	Body (SilverCast) with seal
14	1 kit	3420-0004	Base Kit — Includes: (1) Base, (4) Bolts, (4) Lockwashers
24	1	2300-0020	Bearing Cover
25	1	2300-0022	Shaft Bearing Cover

**Repair Parts Kit No. 3430-0383 (Universal)** Consists of: (6) Ref. 12 Super Rollers, (2) Ref. 7 O-Ring Gaskets, and (2) Ref. 4 Viton Seals.

**Repair Parts Kit No. 3430-0388** Consists of: (6) Ref. 12 Super Rollers and (1) Ref. 7 O-Ring Gasket.

**Repair Parts Kit No. 3430-0386** Consists of: (6) Ref. 12 Super Rollers, (1) Ref. 7 O-Ring Gasket, and (2) Ref. 4 Viton Seals.

**Repair Parts Kit No. 3430-0387** Consists of: (6) Ref. 12 Super Rollers, (1) Ref. 7 O-Ring Gasket, and (2) Ref. 4 Buna-N Seals.

**Repair Parts Kit No. 3430-0162** Consists of: (6) Ref. 12 Polypropylene Rollers and (1) Ref. 7 O-Ring Gasket.

**Repair Parts Kit No. 3430-0204** Consists of: (6) Ref. 12 Teflon Rollers, (1) Ref. 7 O-Ring Gasket, and (2) Ref. 4 Buna-N Seals.

**Repair Parts Kit No. 3430-0164** Consists of: (6) Ref. 8 Polypropylene Rollers, (1) Ref. 7 O-Ring Gasket, and (2) Ref. 4 Viton Seals.

**Repair Parts Kit No. 3430-0163** Consists of: (6) Ref. 8 Polypropylene Rollers, (1) Ref. 7 O-Ring Gasket, and (2) Ref. 4 Buna-N Seals.

**Repair Parts Kit No. 3430-0406** Consists of: (6) Ref. 12 Super Rollers, (1) Ref. 7 O-Ring Gasket, (2) Ref. 4 Viton Seals and (2) Ref. 3 Sealed Ball Bearings.